

ADVANCED HIGH CEILING

Signum 10 Series



10-inch aperture high lumen 10 signum with lumen output 6220 – 9800lm.



Quantity		Type	
Project		Note	

Electrical System

- 8590lm (85W)
9800lm (110W)
- Power Input: Universal (120-277V)
- Operating Temperature: -13°F~112°F
- Surge Protection: 4KV
- Remote Emergency Pack: Bodine BSL20LV

LED Technology

- 2700K, 3000K, 3500K, 4000K, 5000K
- 85 CRI
- Beam Angle: 25°, 40°, 60°, 100° (with diffuser)
- Rated Life > 60,000 Hours (L70)

Advanced Dimming

(Proprietary VX Driver is incorporated to all dimming options for video flicker-free lighting)

- **Standard 0-10V** dims to 10%
- **DMX:** high resolution dims to 0.1% (Supports ANSI E1.20 RDM protocol)
- **Superior 0-10V:** dims to 1%

85W only:

- **TRIAC:** Line-voltage phase control, dims to 1% (**120V only**)
- **3-wire:** LUTRON Hi Lume 3-wire, dims to 1% (**UNV only**)
- **ECOsystm:** LUTRON Hi Lume ECOsystm, dims to 1% (**UNV only**)

Housing

- Diameter: 9.84" (250mm)
- Height: 10.83" (275mm)
- Material: Steel, Aluminum
- Weight: 85W / 16.53 lbs, 110W / 17.19 lbs

Mounting

- Surface Mount
- Stem 2ft, 4ft; 45° Swivel Canopy Included
- Adjustable Aircraft Cable 10ft
- Wall Mount
- Yoke Mount

Warranty

- 5 year limited warranty

Listing

- ETL Listed
- Damp Location Listed
- DLC Listed
- CE



Signum 10 Series



How To Specify:

Ordering Example: **SS10-110-358-UNV-SPV-40-BLK-AD10**

4-5 weeks lead time on over 75% of specifications.

Model	Wattage	CCT / CRI	Voltage	Dimming
SS10			UNV	
SS10 Signum 10	85 85W 110 110W	278 2700K / CRI85 308 3000K / CRI85 358 3500K / CRI85 408 4000K / CRI85 508 5000K / CRI85	UNV 120-277V	STV STV Standard 0-10V dims to 10% SPV Superior 0-10V dims to 1% DMX DMX dims to 0.1% (XLR Sockets) DMX(RJ45) DMX dims to 0.1% (RJ45 Sockets) TRC* TRIAC dims to 1% (120V only) ECO* LUTRON ECOsystem dims to 1% (UNV only) 3WIR* LUTRON 3-wire dims to 1% (UNV only)

*Available for **85W** only.

Beam Angle	Finish	Mounting	Accessories
25 25° 40 40° 60 60° WD* 100° (with diffuser)	BLK Black WHT White	SUM Surface Mount ST2 Stem 2ft ST4 Stem 4ft AD10 Adjustable Aircraft Cable 10ft WLM Wall Mount YKM Yoke Mount	SPD ¹ Surge Protector EMP Remote Emergency Pack DF ² Diffuser CB ³ Cross Baffle HC ³ Honey Comb

*Please factor in change in lumen output with diffuser (-20% with DF).

¹ Surge protector for up to 10KV. Applicable for unstable mains or facilities using high power machineries.

² Please factor in change in lumen output with diffuser (-20% with DF).

³ Please factor in change in lumen output of -30%.

Signum 10 Series

Delivered Lumens*

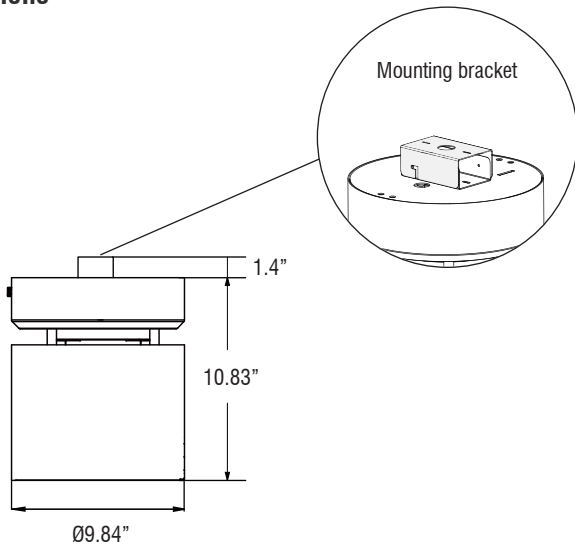
Wattage \ CCT	SS10-85	SS10-110
	Beam Angle: 40°	Beam Angle: 60°
5000K	8590 lm	9800 lm
4000K	7600 lm	8890 lm
3500K	7000 lm	8440 lm
3000K	6730 lm	7760 lm
2700K	6220 lm	7430 lm

*Tolerance ± 8%

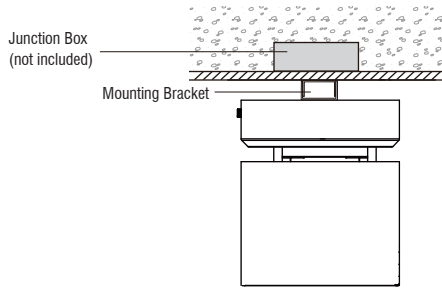
Current Consumption

Wattage \ Volt	120V	277V
	85W	0.87A
110W	1.11A	0.48A

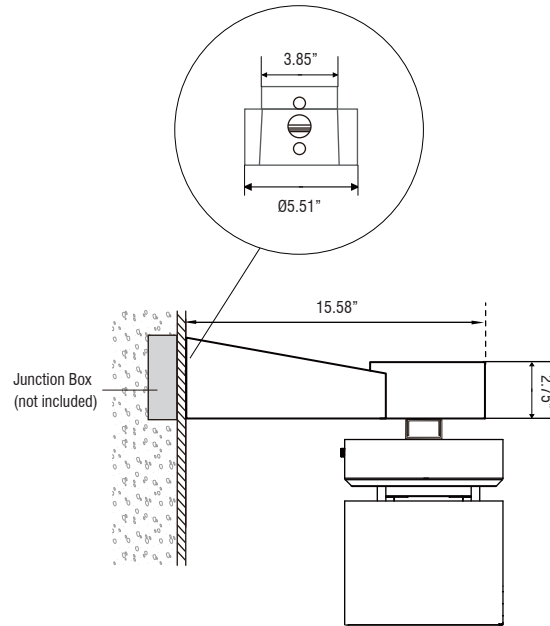
Dimensions



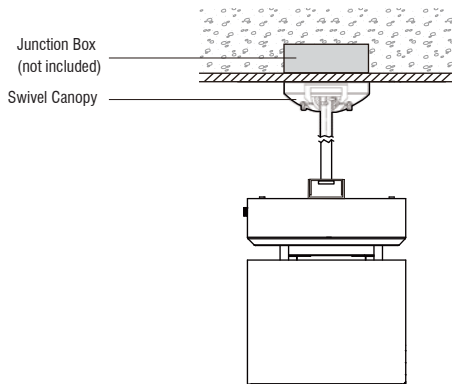
Mounting Options



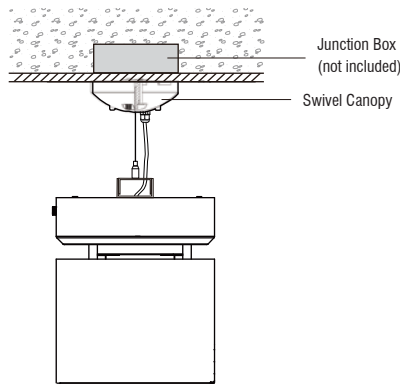
Surface Mount



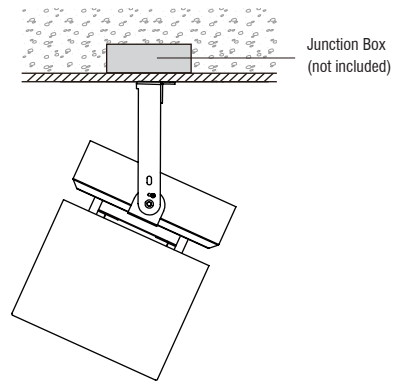
Wall Mount



Stem



Adjustable Aircraft Cable



Yoke Mount

Signum 10 Series



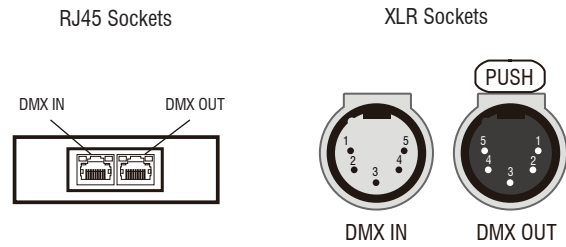
DMX Requirements*

The Signum 10 LED fixture with DMX is a ONE CHANNEL DMX unit.

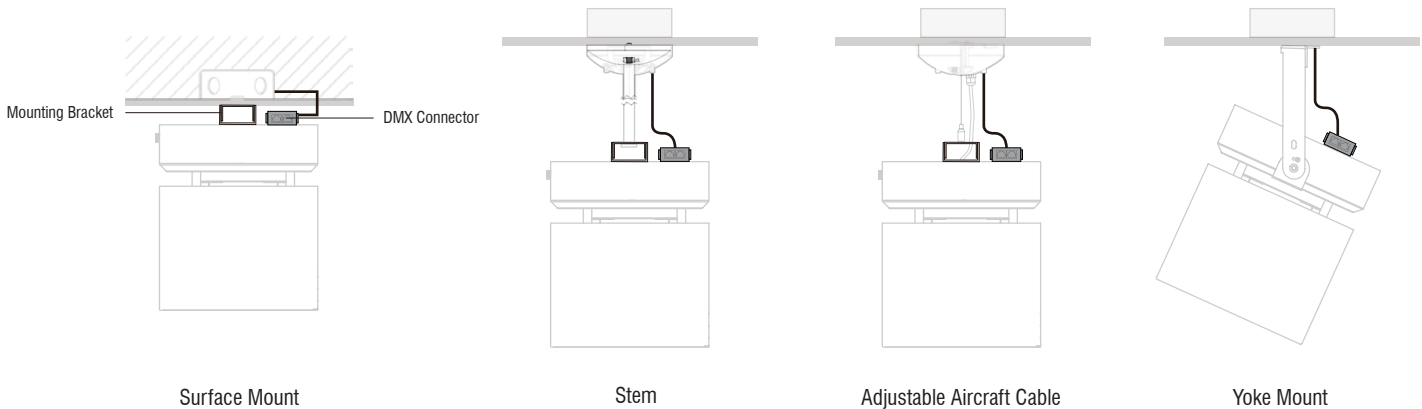
When placing order, please indicate DMX address. (The DMX address will be listed on the back of the fixture.)

The LED fixture provide RJ45 Socket or XLR socket to connect. (DMX cable NOT included.)

The final fixture should be terminated by the use of DMX Terminator (by others).



CONNECTION	RJ45 (CAT5e)	5-PIN XLR
Common	WHITE/BROWN(PIN7) & BROWN(PIN 8)	PIN 1
Signal -	ORANGE(PIN 2)	PIN 2
Signal +	WHITE/ORANGE(PIN 1)	PIN 3
Spare	-	PIN 4
Spare	-	PIN 5



Compatible TRIAC Dimmer List

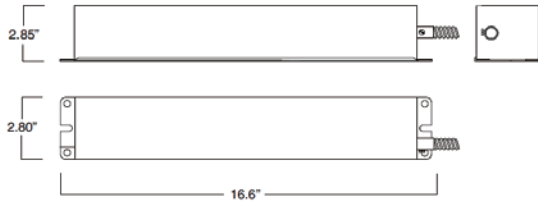
LUTRON PART NO.

RRD-6NA-	RRT-G5NEW-	RRT-GH	HQRD-10ND-	HQRT-GH	HQRD-HN	PD-10NXD-
RRD-6ND	RRT-G25LW-	HQRD-6NA-	MRF2-6ND-120-	HQRT-G25LW-	GT-250M-	PD-5NE-
RRD-10ND-	RRD-HN	HQRD-6ND-	MRF2S-6ND-120-	HQRT-G5NEW-	GTJ-250M-	

Signum 10 Series



Remote Emergency Pack



Emergency Pack Lumen Output Table

CCT	2700K	3000K	4000K	5000K
Lumen	1640 lm	1760 lm	1890 lm	1950 lm

Mounting with standard ceiling recessed Junction BOX

